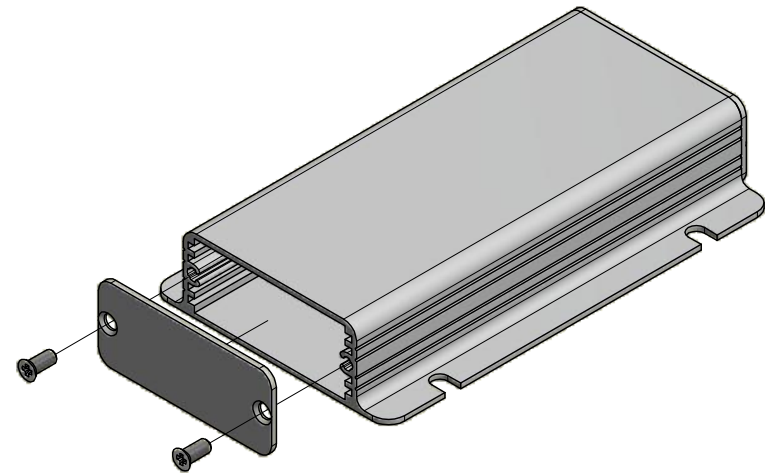
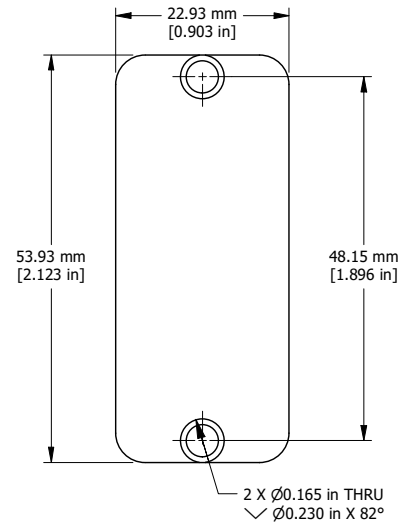


EXTRUSION



EXPLODED ASSEMBLY VIEW



END PLATE

****EXTRUSION DESIGN FOR 50MM WIDE PC BOARD****

Enclosures can be Factory Modified (Milling, Drilling, Printing etc.)
 Solid models of this enclosure available in STEP or IGES.
 Contact Factory mjm@hammondmfg.com

NOTE

Purchased assembly includes box, end panels, #6 Taptight screws and self adhesive rubber feet.
 Box made from Extruded Aluminum 6063.

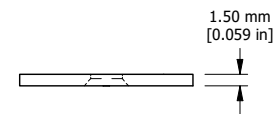
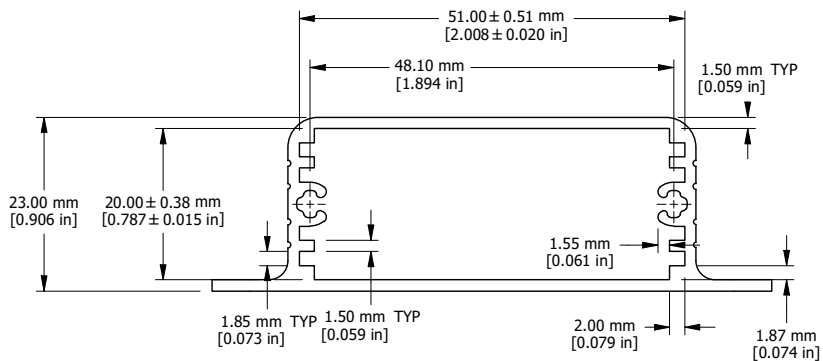
1455CF1201

PART NUMBERS

| | |
|----------------|--------------|
| Clear Anodized | 1455CF1201 |
| Black Anodized | 1455CF1201BK |

ACCESSORIES

See website for accessories.



**HAMMOND
 MANUFACTURING™**

1455CF1201

www.hammondmfg.com