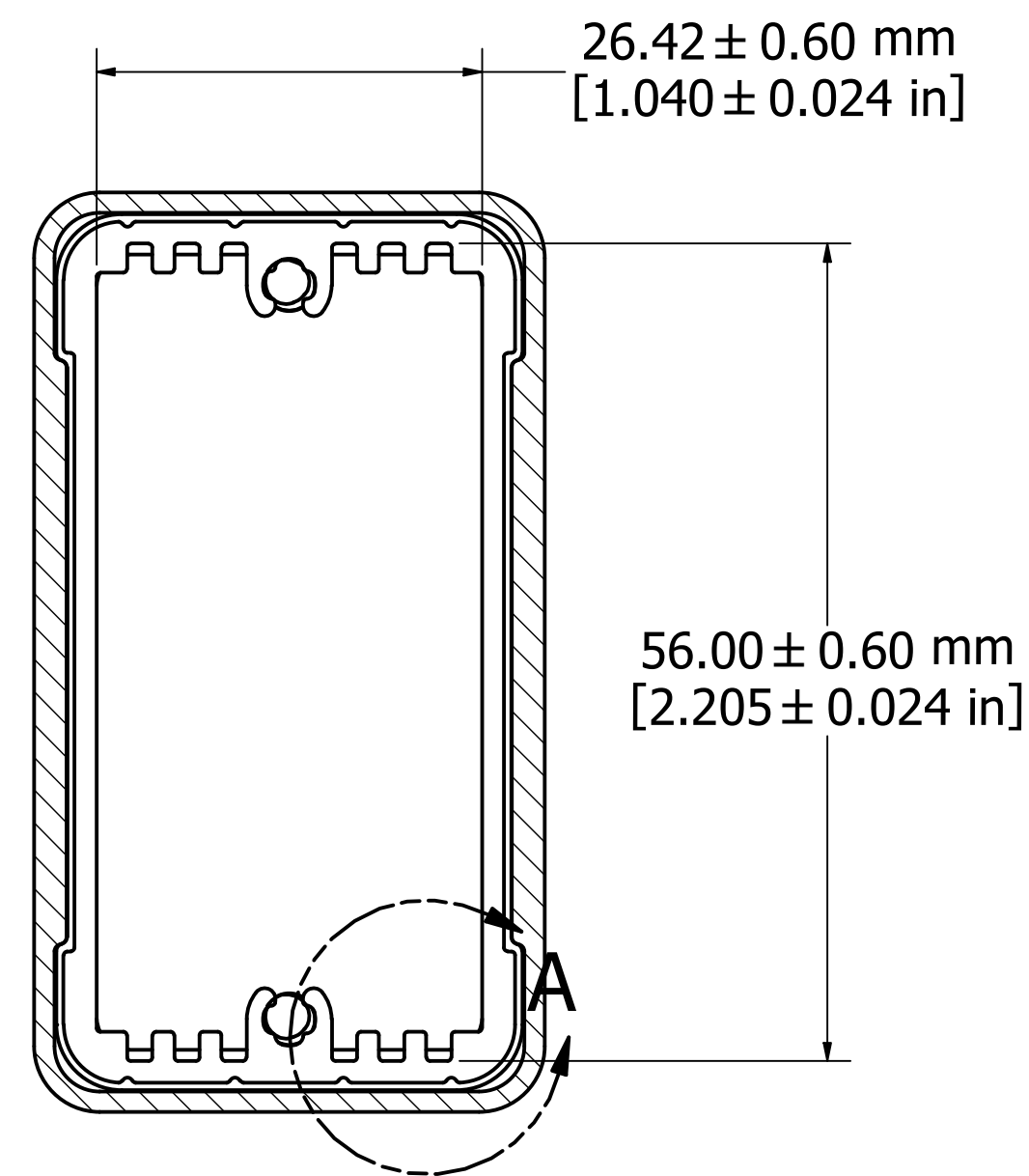
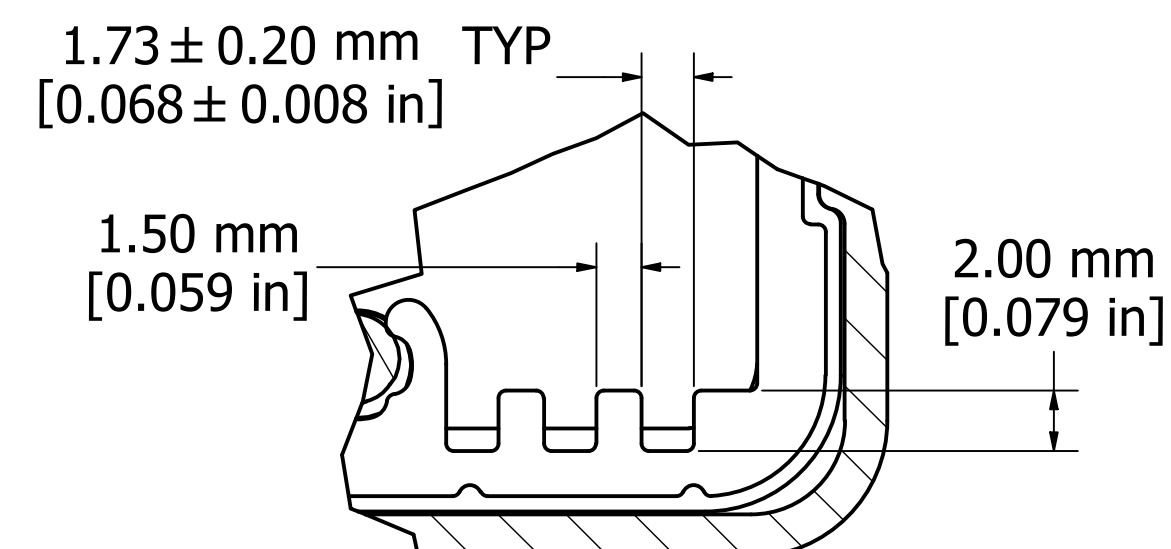


ASSEMBLY - TOP VIEW

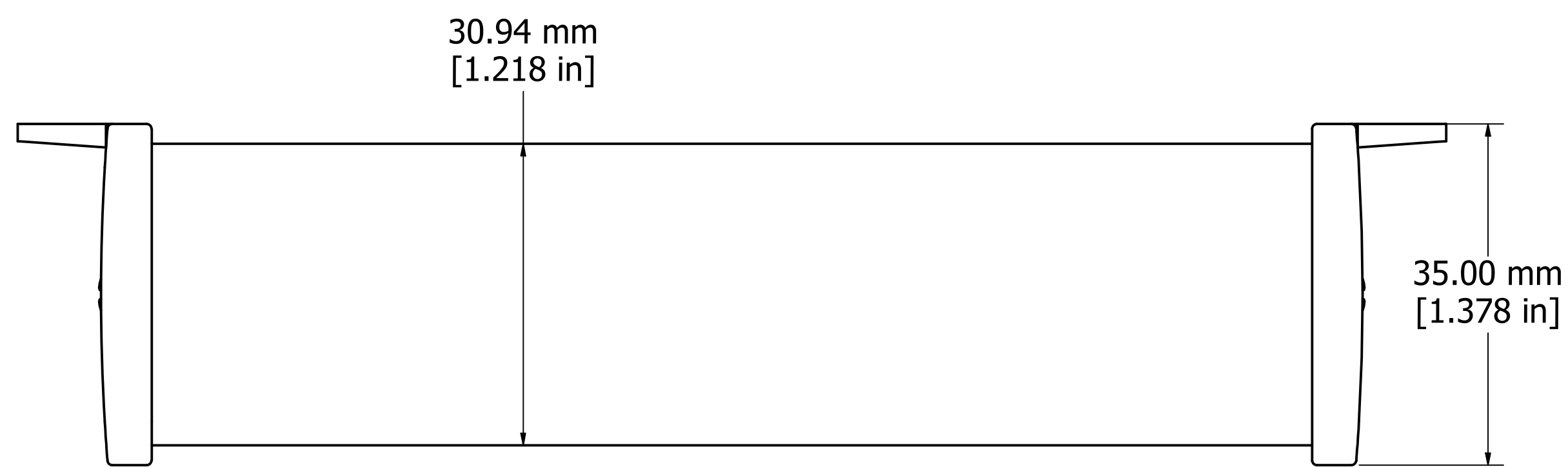
.75mm (.030") Deep Recess For Labels/Keypads etc.



SECTION A-A

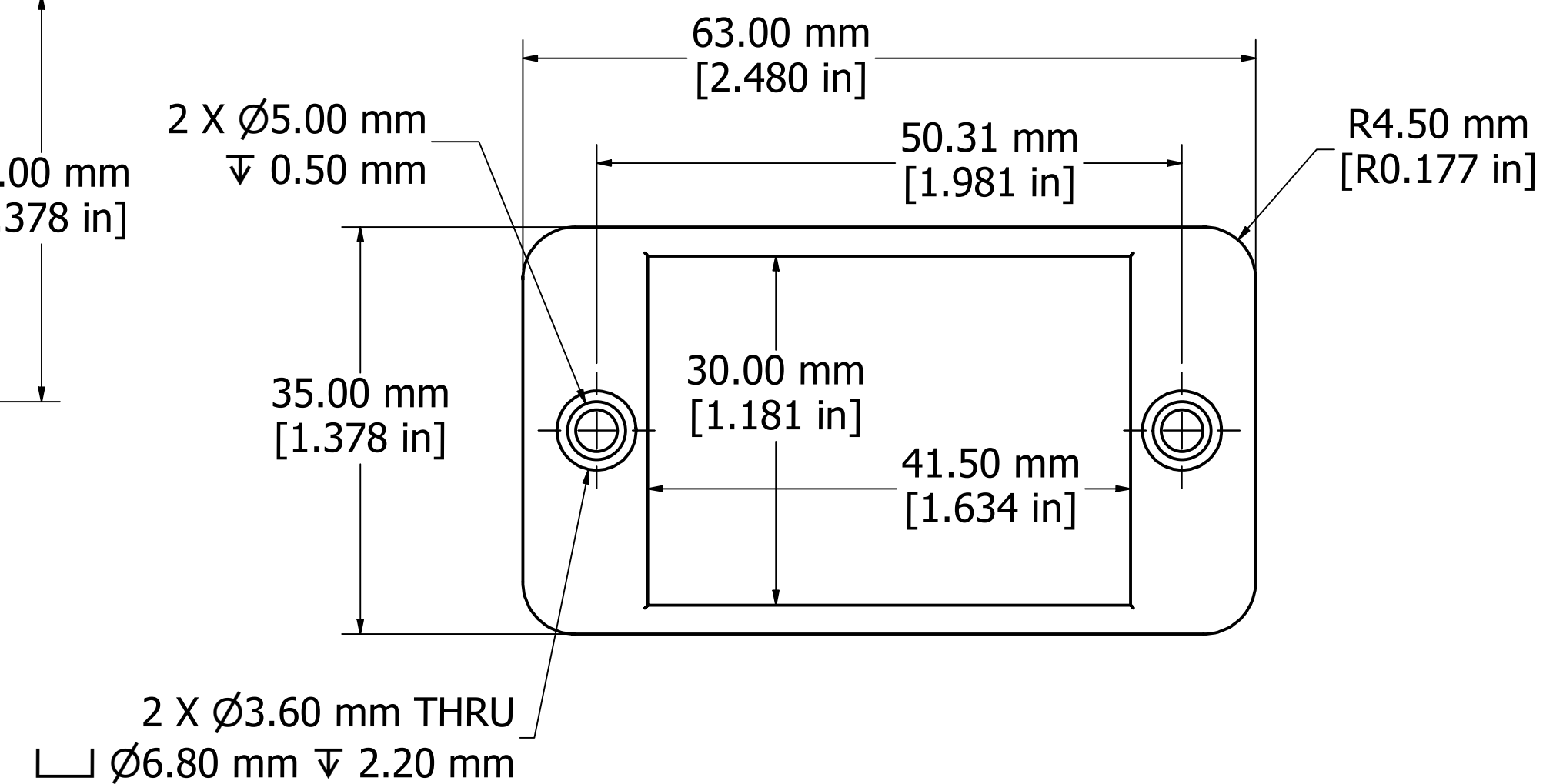


DETAIL A

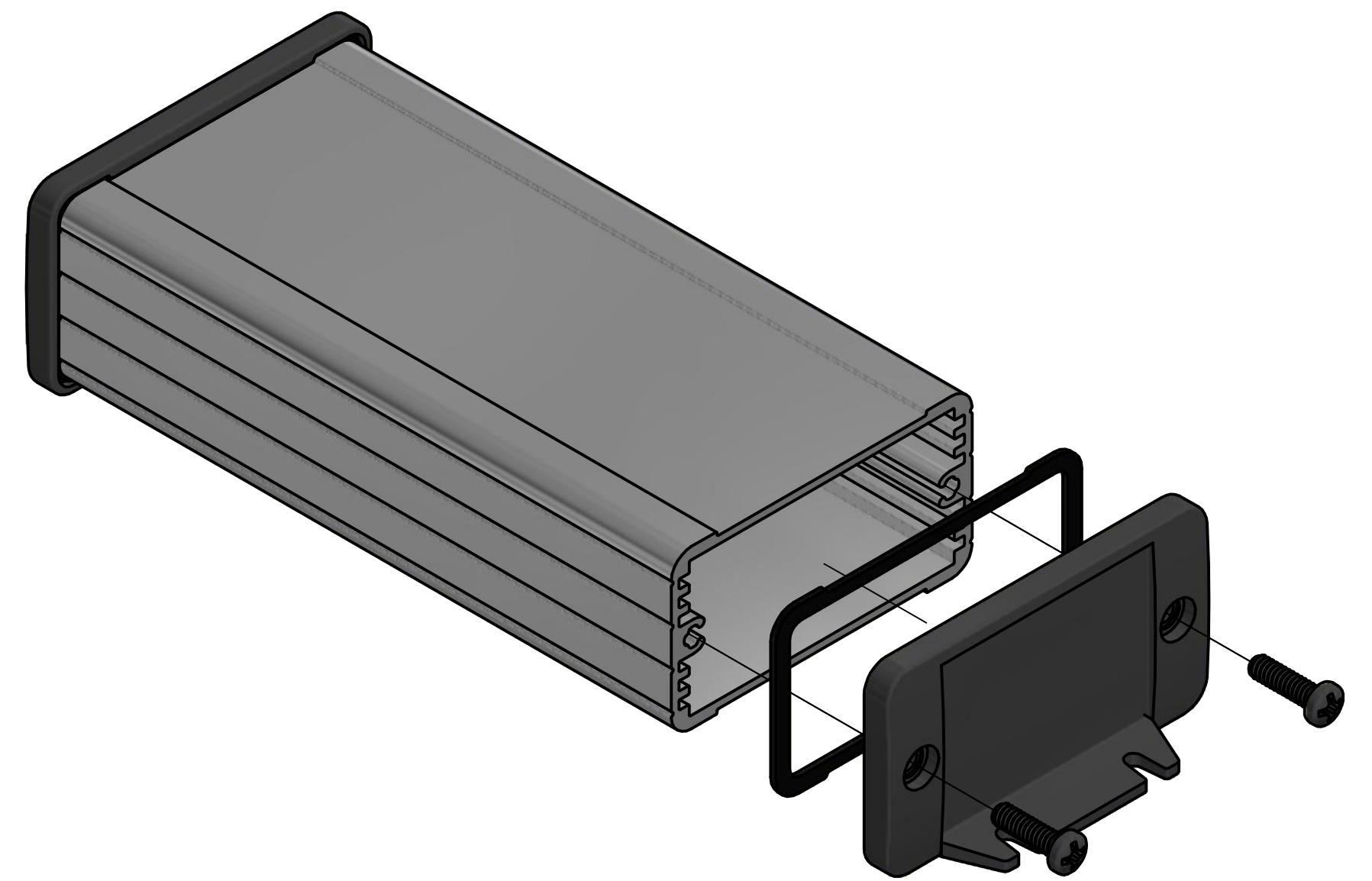


ASSEMBLY - SIDE VIEW

Fits 120mm (4.724") X 55.0mm (2.165") PCB



END PANEL - VIEW FROM OUTSIDE



PROTECTION TO IP 65

Enclosures can be Factory Modified (Milling, Drilling, Printing etc.)
 Contact Factory mjm@hammondmfg.com for quotes
 Solid models of this enclosure available in STEP or IGES.

NOTE	
Purchased assembly includes box, end panels, #6 Taptight screws with o-rings, self adhesive rubber feet, and gaskets	
Box made from Extruded Aluminum 6063.	
End panels made from Type 380 Diecast Aluminum with a black powder paint finish.	
WATERPROOF 1457C1202	
PART NUMBERS	
Clear anodized box with black powder painted end panels	1457C1202
Black powder painted box and end panels	1457C1202BK
EMI/RFI SHIELDED (IP 54)	
Clear anodized box with black powder painted end panels	1457C1202E
Black powder painted box and end panels	1457C1202EBK
ACCESSORIES	
See website for accessories.	

**HAMMOND
MANUFACTURING™**
1457C1202
www.hammondmfg.com