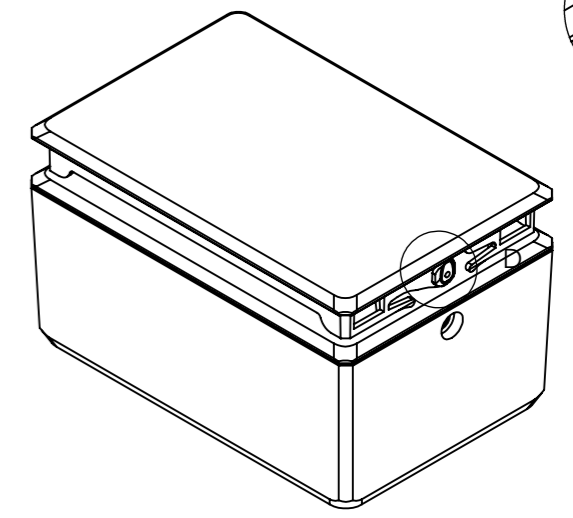
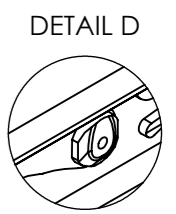
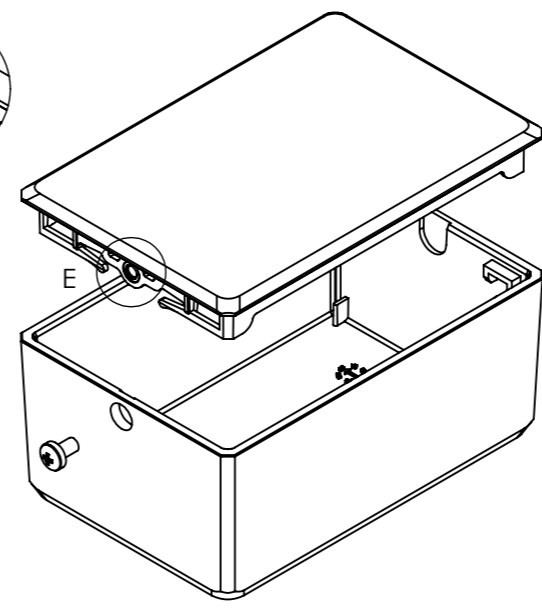
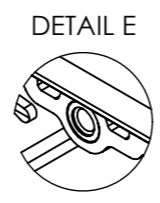


REVERSIBLE LID, RETAINING OPTIONS:

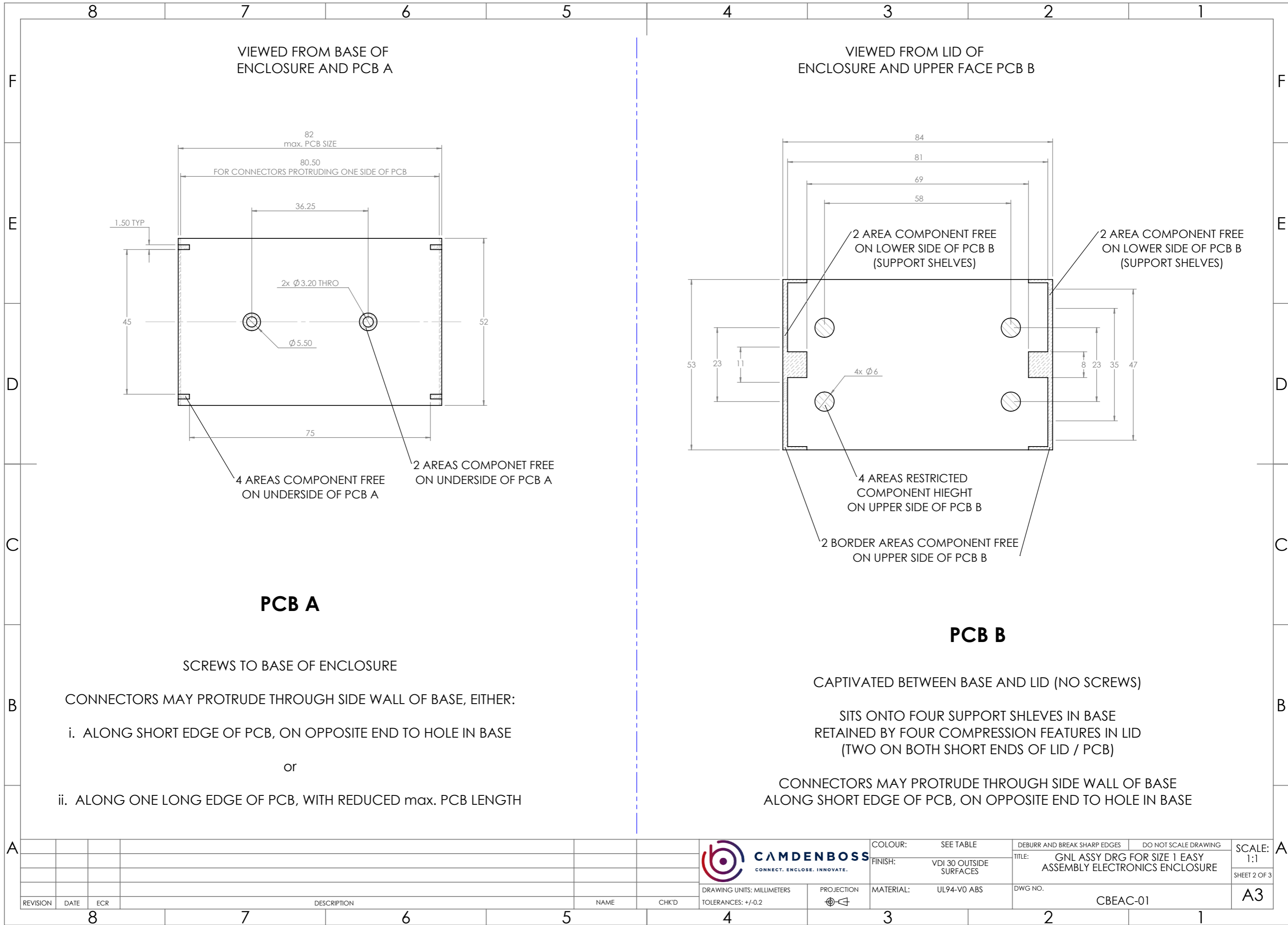
SINGLE SCREW

CLIP-IN BUTTON



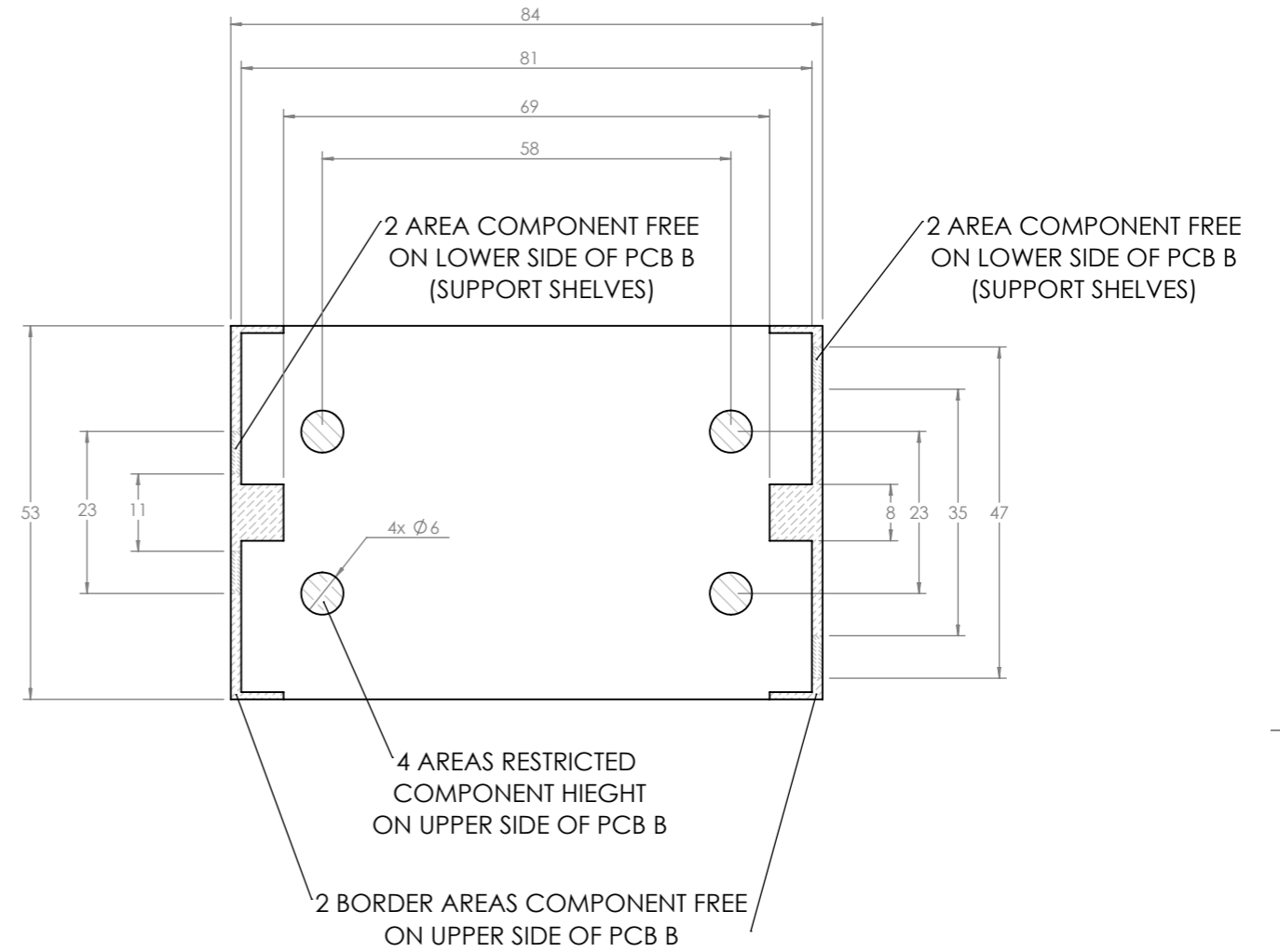
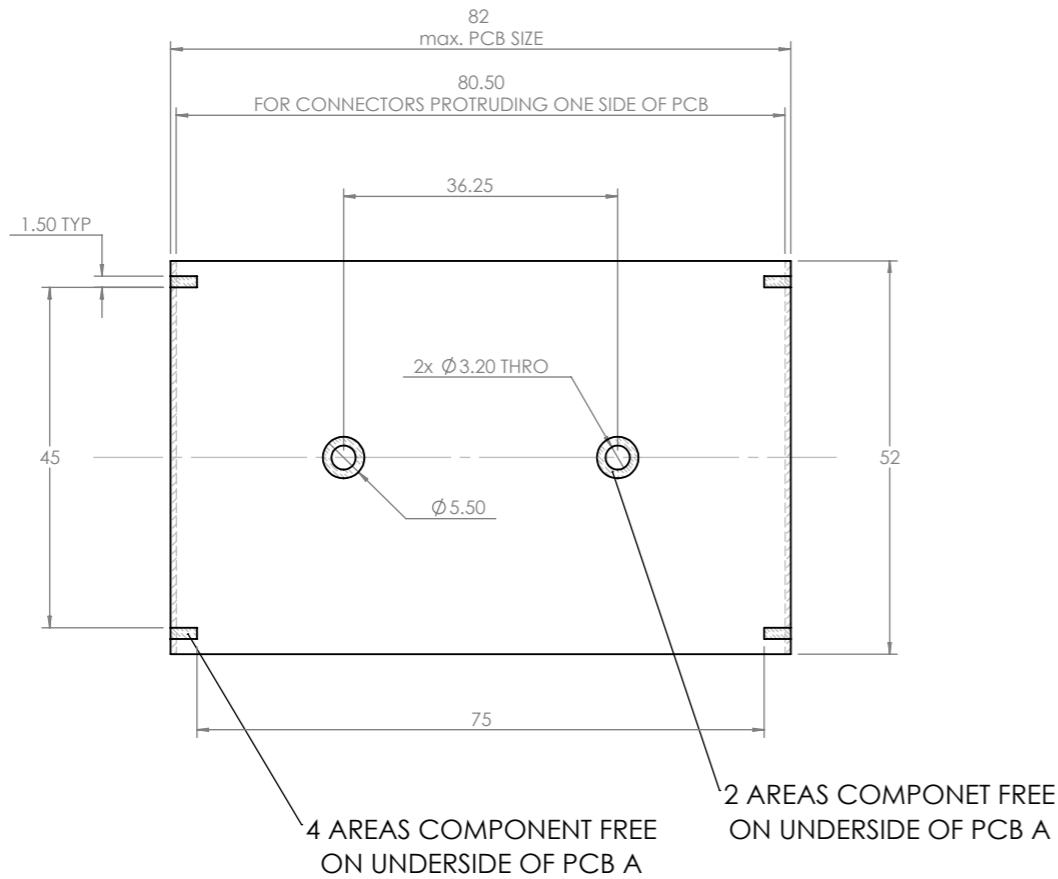
| COLOUR | RAL |
|------------|------|
| BLACK | 9005 |
| LIGHT GREY | 7047 |
| WHITE | 9003 |

| | | | | | | | | | | |
|----------|----------|-----|-------------|----------|------------|--|--|---------------------------------|--|--------------|
| 0.0 | 13/09/20 | ECR | FIRST DRAWN | I.PAGANO | S.HARDINGE | CAMDENBOSS CONNECT. ENCLOSE. INNOVATE. | COLOUR: SEE TABLE | DEBURR AND BREAK SHARP EDGES | DO NOT SCALE DRAWING | SCALE: 1:1 |
| REVISION | DATE | ECR | DESCRIPTION | NAME | CHK'D | | DRAWING UNITS: MILLIMETERS TOLERANCES: +/-0.2 | FINISH: VDI 30 OUTSIDE SURFACES | TITLE: GNL ASSY DRG FOR SIZE 1 EASY ASSEMBLY ELECTRONICS ENCLOSURE | SHEET 1 OF 3 |
| | | | | | | PROJECTION | MATERIAL: UL94-V0 ABS | DWG NO. CBEAC-01 | | A3 |



VIEWED FROM BASE OF ENCLOSURE AND PCB A

VIEWED FROM LID OF ENCLOSURE AND UPPER FACE PCB B



PCB A

PCB B

SCREWS TO BASE OF ENCLOSURE

CONNECTORS MAY PROTRUDE THROUGH SIDE WALL OF BASE, EITHER:

i. ALONG SHORT EDGE OF PCB, ON OPPOSITE END TO HOLE IN BASE

or

ii. ALONG ONE LONG EDGE OF PCB, WITH REDUCED max. PCB LENGTH

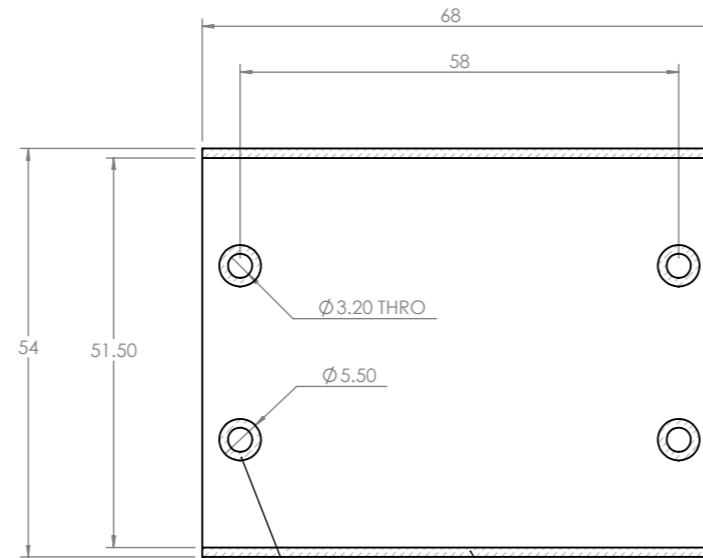
CAPTIVATED BETWEEN BASE AND LID (NO SCREWS)

SITS ONTO FOUR SUPPORT SHLEVES IN BASE
RETAINED BY FOUR COMPRESSION FEATURES IN LID
(TWO ON BOTH SHORT ENDS OF LID / PCB)

CONNECTORS MAY PROTRUDE THROUGH SIDE WALL OF BASE
ALONG SHORT EDGE OF PCB, ON OPPOSITE END TO HOLE IN BASE

| | | | | | | | | | | |
|----------|------|-----|-------------|------|-------|---|---------------------------------|--|----------------------|--------------|
| REVISION | DATE | ECR | DESCRIPTION | NAME | CHK'D | CAMDENBOSS <small>CONNECT. ENCLOSE. INNOVATE.</small> | COLOUR: SEE TABLE | DEBURR AND BREAK SHARP EDGES | DO NOT SCALE DRAWING | SCALE: 1:1 |
| | | | | | | | FINISH: VDI 30 OUTSIDE SURFACES | TITLE: GNL ASSY DRG FOR SIZE 1 EASY ASSEMBLY ELECTRONICS ENCLOSURE | | SHEET 2 OF 3 |
| | | | | | | DRAWING UNITS: MILLIMETERS TOLERANCES: +/-0.2 | PROJECTION | MATERIAL: UL94-V0 ABS | DWG NO. CBEAC-01 | A3 |

VIEWED FROM LID OF ENCLOSURE AND UNDERSIDE OF PCB C



2 AREAS COMPONENT FREE ON UNDERSIDE OF PCB C

4 AREAS COMPONENT FREE ON UNDERSIDE OF PCB C

PCB C

SCREWS TO LID OF ENCLOSURE

| REVISION | DATE | ECR | DESCRIPTION | NAME | CHK'D |
|----------|------|-----|-------------|------|-------|
| | | | | | |
| | | | | | |
| | | | | | |

CAMDENBOSS
CONNECT. ENCLOSE. INNOVATE.

DRAWING UNITS: MILLIMETERS
TOLERANCES: +/-0.2

PROJECTION

| | |
|-----------|-------------------------|
| COLOUR: | SEE TABLE |
| FINISH: | VDI 30 OUTSIDE SURFACES |
| MATERIAL: | UL94-V0 ABS |

| | |
|--|----------------------|
| DEBURR AND BREAK SHARP EDGES | DO NOT SCALE DRAWING |
| TITLE: GNL ASSY DRG FOR SIZE 1 EASY ASSEMBLY ELECTRONICS ENCLOSURE | |
| DWG NO. | CBEAC-01 |

| |
|--------------|
| SCALE: 1:1 |
| SHEET 3 OF 3 |
| A3 |